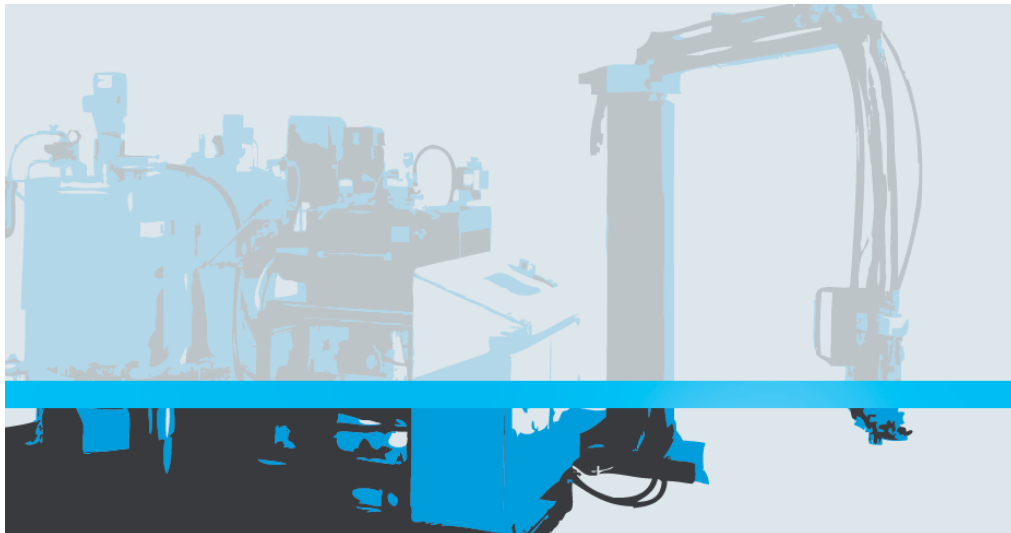


**KHÔI NGUYỄN**  
CÔNG NGHỆ & DỊCH VỤ POLYURETHANE



**KHÔI NGUYỄN ME CO LTD.,**

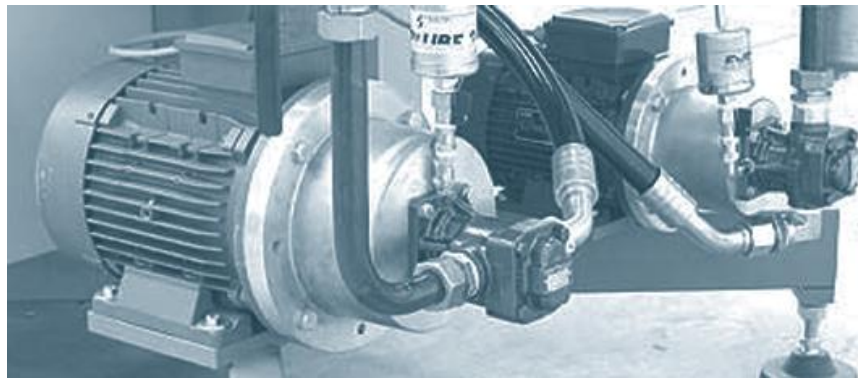


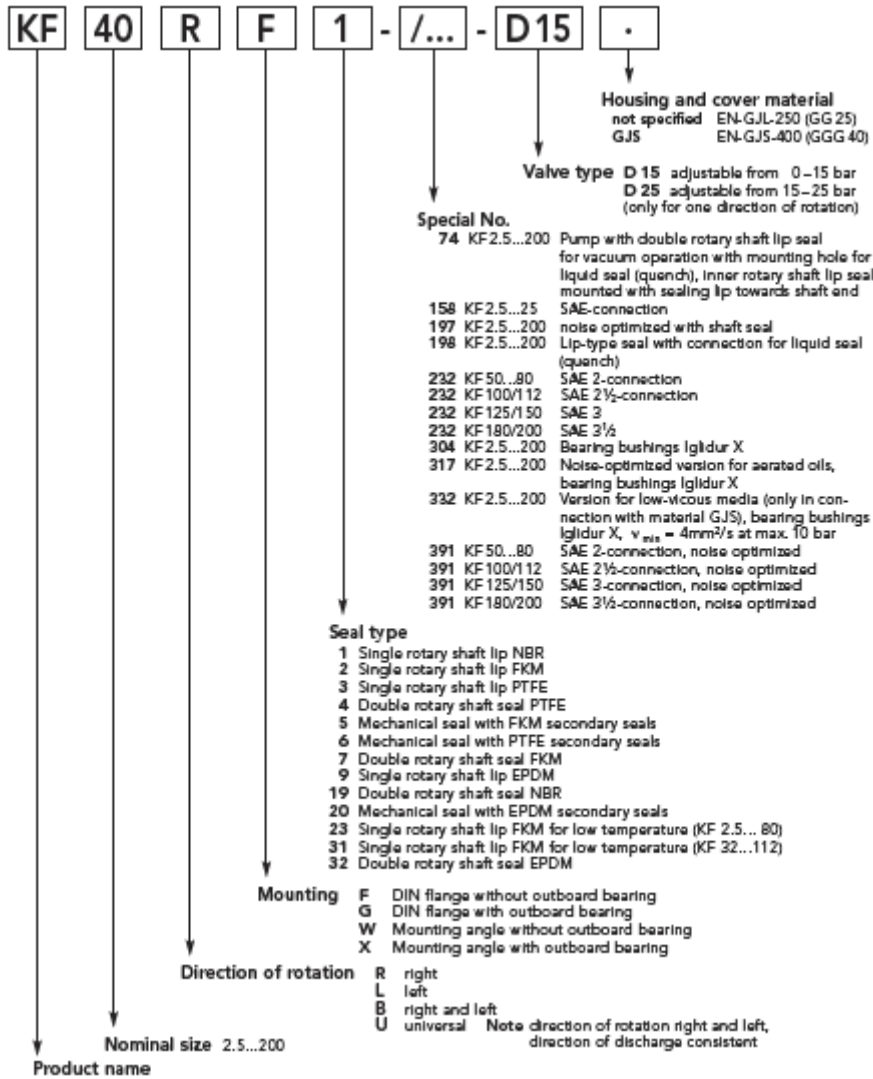
**POLYURETHANE METERING PUMP**

**BƠM ĐỊNH LƯỢNG**

# 1. BƠM ĐỊNH LƯỢNG ÁP THẤP: ( KRACHT - ĐỨC)

 Made in Germany





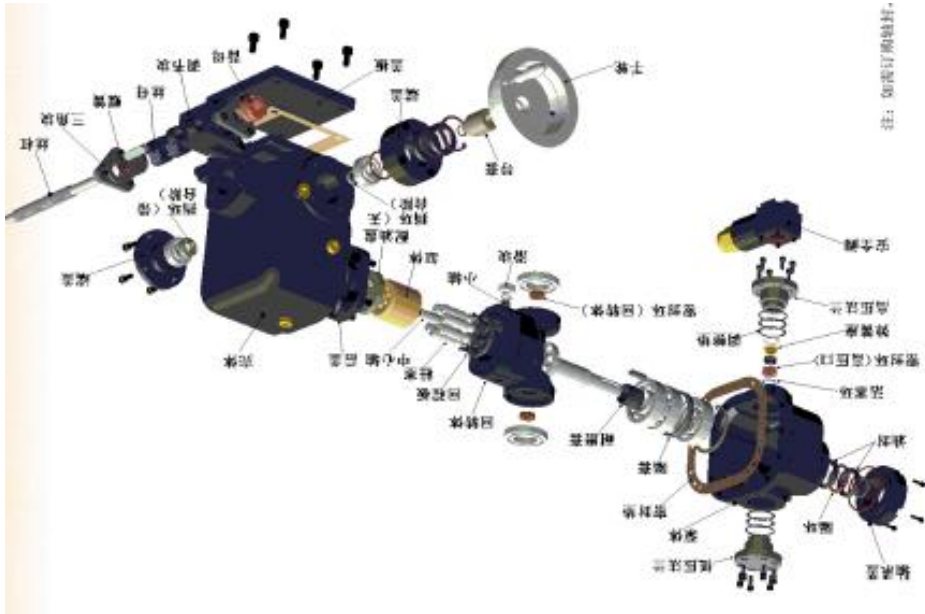
## Technical Data

Nominal size	geom. displacement $V_g$ cm <sup>3</sup> /r	Working pressure* $p_b$ bar	Maximum pressure (pressure peaks) $p_{max}$ bar	Speed range		Permissible load ** ( $n = 1500$ 1/min) $F_{radial}$ N	Sound level dB (A)		
				$n_{min}$ 1/min	$n_{max}$ 1/min		$p = 5$ bar	$p = 15$ bar	$p = 25$ bar
2.5	2.55	25	40	200	3000	700	≤ 65	≤ 66	≤ 67
4	4.03								
5	5.05								
6	6.38								
8	8.05								
10	10.11								
12	12.58								
16	16.09								
20	20.1								
25	25.1								
32	32.12					1500	≤ 67	≤ 68	≤ 68
40	40.21								
50	50.2								
63	63.18								
80	80.5								
100	101.5								
112	113.5								
125	129.4	≤ 65	≤ 65	≤ 65					
150	155.6								
180	186.6								
200	206.2				2500				

## 2. BƠM ĐỊNH LƯỢNG ÁP CAO:

### 2.1: BƠM ĐỊNH LƯỢNG ÁP CAO TRUNG QUỐC LOẠI 1:

#### 2.1A : BƠM CHỈNH ĐƯỢC LƯU LƯỢNG:



**液流方向 Liquid flow direction**

摆动方向 Swings the direction	顺时针旋转 Clockwise rotation	逆时针旋转 Anti-clockwise rotation
	开式回路 Operates the type return route	闭式回路 Closed type return route
	开式回路 Operates the type return route	闭式回路 Closed type return route
<b>顺时针</b> Clockwise	S到B(A堵住) S to B(A stops up)	A到B A to B
<b>逆时针</b> Anti-clockwise	S到A(B堵住) S to A(B stops up)	B到A B to A
	S到A(B堵住) S to A(B stops up)	A到B A to B
	S到B(A堵住) S to B(A stops up)	A到B A to B

数据表:  
Data sheet

规格 Specification			12	28	55	107	225
排量 Vg max Displacement Vg max		cm <sup>3</sup>	11.6	28.1	54.8	107	225.1
流量 Qmax Current capacity Qmax	n=735rpm	L/min	8.3	20	39	76	160
开式回路中, 转速分路为 (粘度 $\nu = 36\text{mm}^2/\text{s}$ )							
Operates in the type return route, the rotational speed by-pass is (Viscosity $\nu = 36\text{mm}^2/\text{s}$ )	n=970rpm	L/min	10.9	26	51	100	210
	n=1450rpm	L/min	16.3	39	77	150	315
功率, 在 $\Delta p=25\text{Mpa}$ 转速分辨为	n=735rpm	KW	4	9	17	33	69
The power, in $\Delta p=25\text{Mpa}$	n=970rpm	KW	5	12	22	43	90
Rotational speed resolution is	n=1450rpm	KW	7	17	33	65	137

规格 Specification			12	28	55	107	225
Vgo到Vgmax手轮转动圈数 Turns Vgo to the Vgmax hand wheel rotation	Us		10.6	12.7	16	13.4	16.7
手轮上的最大操作力 On hand wheel biggest operation strength	Kp		7	7	8	12	12
泵的近似重量 Pumps approximate weight	Kg		19	36	64	117	219

## 2.1B: BƠM LƯU LƯỢNG CỐ ĐỊNH:



技术参数表 理论值.未考虑 $\eta_{mb}$ 和 $\eta_v$ . 数值经过圆整									
Technical Data theoretical values, without considering $\eta_{mb}$ and $\eta_v$ , values rounded off									
规格 Size				5	10	12	23	28	55
排量 Displacement	$V_g$		ml/r	4.93	9.4	11.6	22.7	28.1	54.8
最高转速	开式回路	在 $n_{0.09}$ 下	rpm	5600	4700	3750	3750	2800	2360
Max. speed	open circuit	在 $n_{0.15}$ 下	rpm	7000	6000	4900	4900	3600	3000
最大流量	开式回路	在 $n_{0.09}$ 下 <sup>2</sup>	$Q_{0.09}$	l/min	27.6	43	42	83	76
Max. flow	open circuit	在 $n_{0.15}$ 下 <sup>2</sup>	$Q_{0.15}$	l/min	34.4	55	55	108	98
电机转速	流量								
Electric motor speed	开式 2)open	$Q_0$	l/min	7.14	13.2	16.3	31.9	39.5	77.1
功率 power	功率 power	P	KW	5	8	10	19	24	46
n=1450rpm ( $\Delta p=35MPa$ )									
近似重量	Weight(approx.)	kg		2.5	5	5	12	12	23

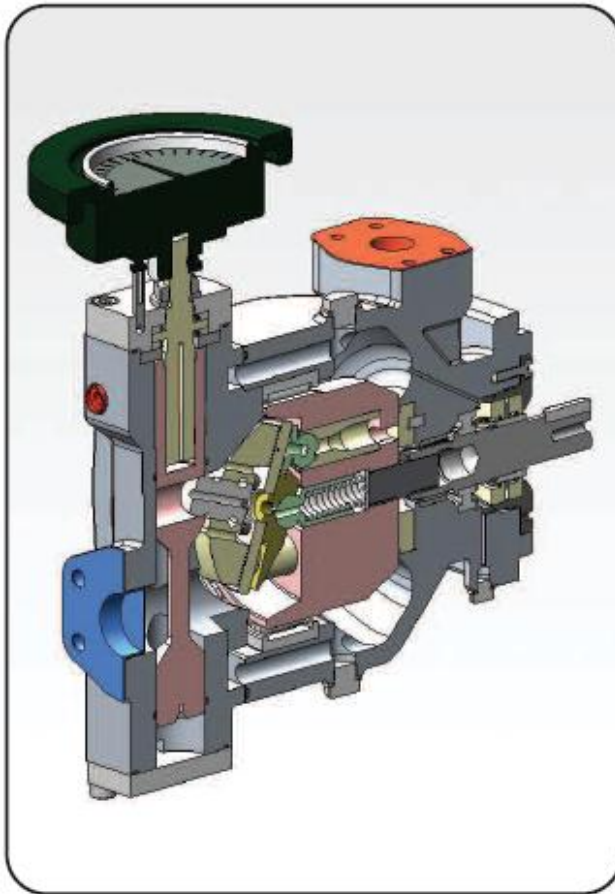
## 2.2 BƠM ĐỊNH LƯỢNG ROTARY POWER – ĐỨC:

 Made in Germany





## C RANGE METERING PUMPS FOR P.U. FOAM PRODUCTION



### FOREWORD

ROTARY POWER have supplied pumps to the Urethane Foam Industry since 1975. This catalogue sets out the most commonly required information for successful application and reliable use of C range pumps. Further advice and assistance is readily available from our engineers.

### CONTENTS

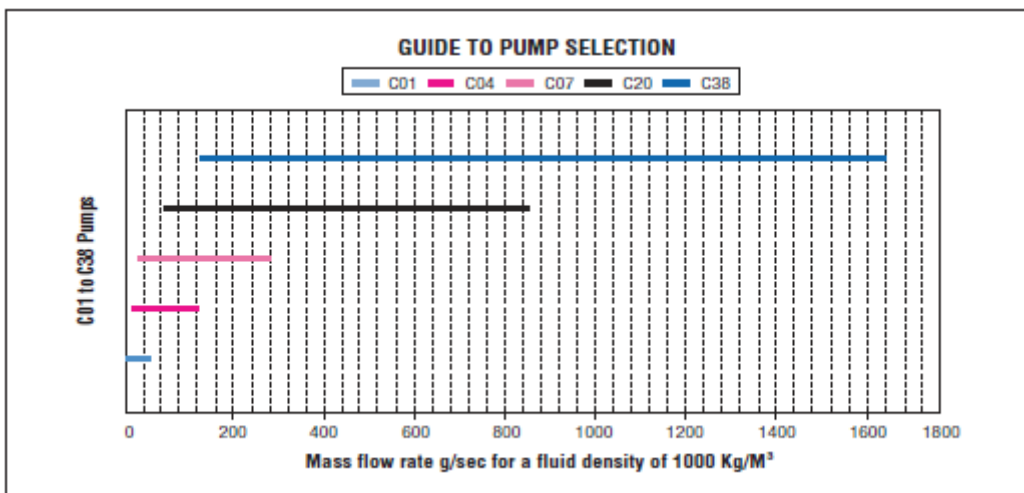
Technical Data	2-3
Performance Data	4-5
Installation Data - MD	6-7
Installation Data - FA	8-9
Pump Application	10-11
Commissioning & Installation	12
Accessories	13
Ordering Code	13

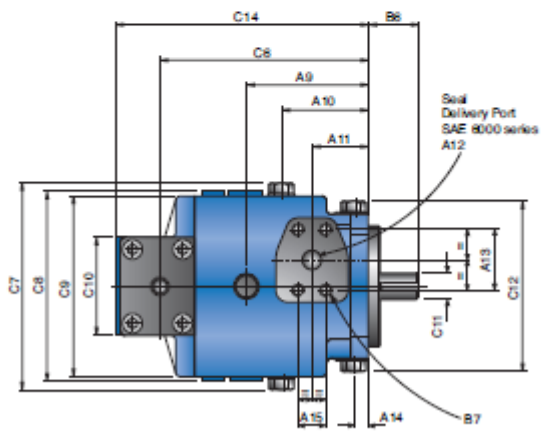
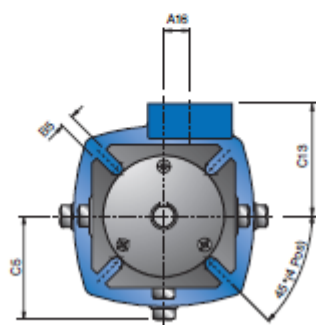
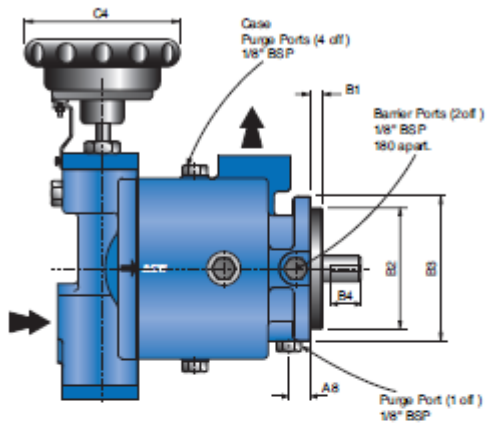
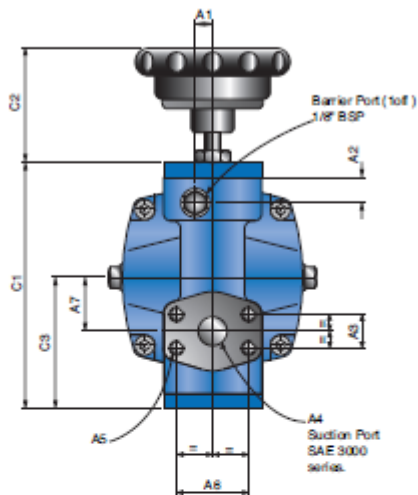
TYPE	DESCRIPTION
FA	Fixed displacement.
MB	Variable displacement manual, fine adjustment with plain handwheel.
MD	Variable displacement manual, fine adjustment with dial indicator handwheel.
ME	Variable displacement manual, fine adjustment, spindle only.

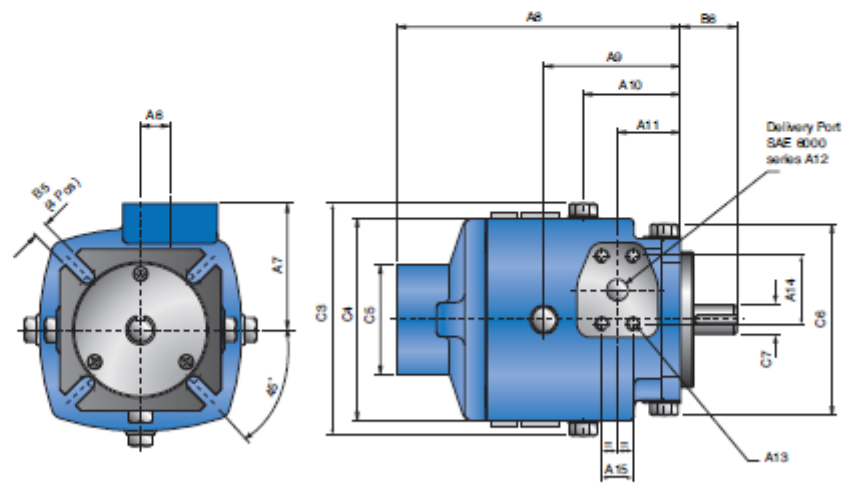
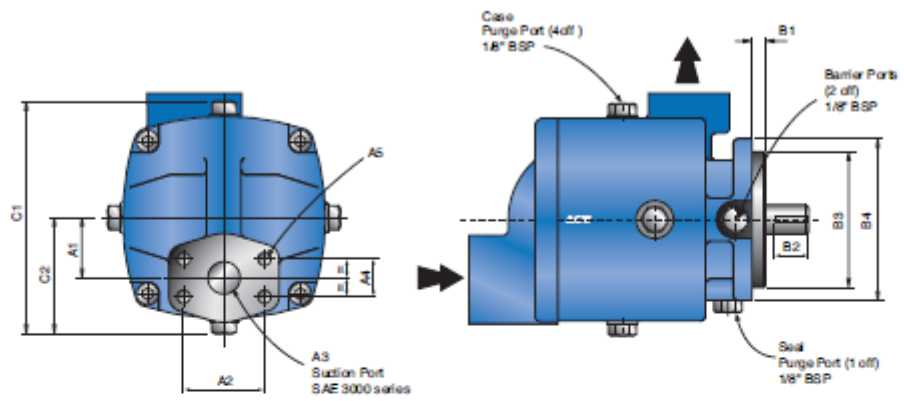


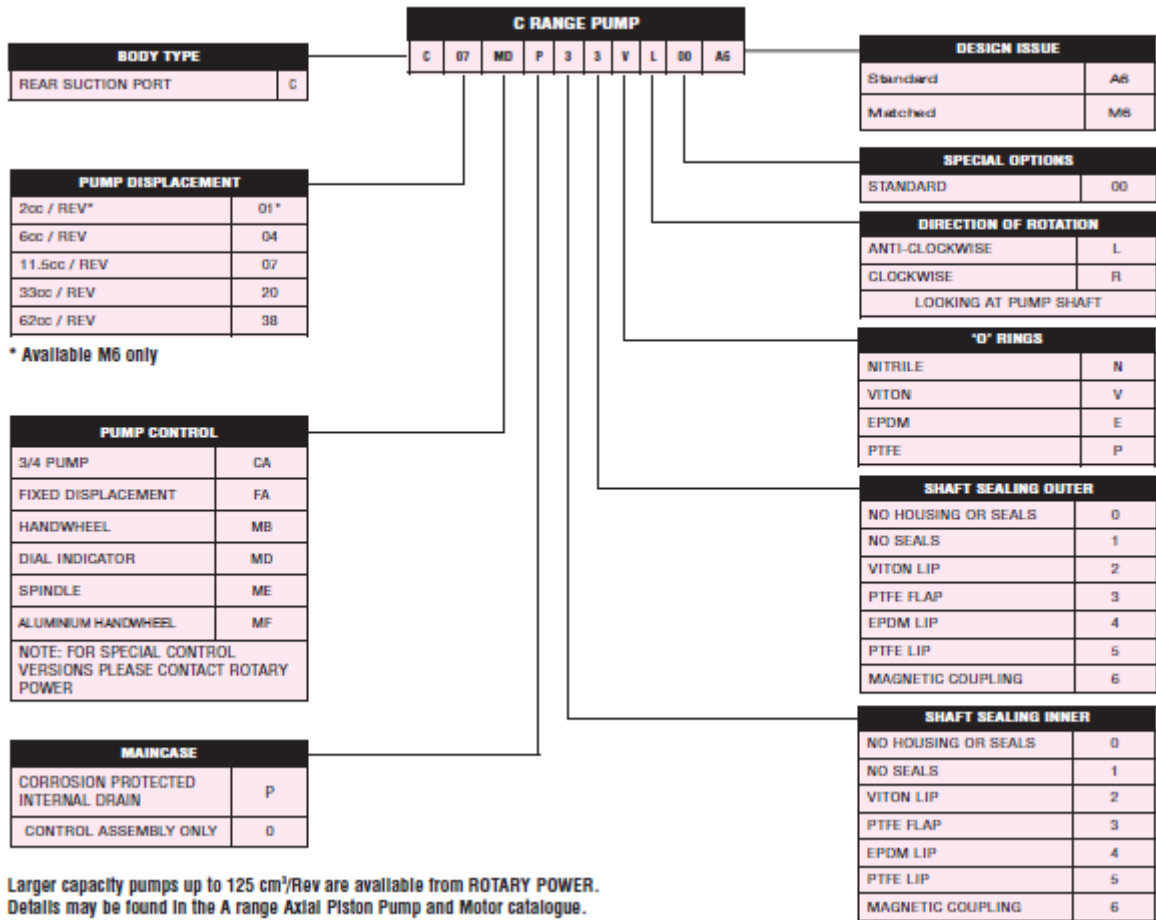
## TECHNICAL DATA

TECHNICAL DATA						
S E E	PUMP RANGE	C - RANGE				
	MODEL	C01	C04	C07	C20	C38
N O T E	Geometric displacement (cc/rev)	2	6	11.5	33	62
	<b>1</b> Maximum speed rev/min	1800	1800	1800	1800	1800
<b>2</b> Minimum speed rev/min	200	200	200	200	200	
<b>3</b> Max outlet pressure TDI (bar)	210	210	210	210	210	
<b>3</b> Max outlet pressure MDI, polyol (bar)	250	250	250	250	250	
<b>4</b> Min outlet pressure (bar) above Inlet	2	2	2	2	2	
<b>5</b> Max inlet pressure (bar)	20	20	20	20	20	
	Min Inlet pressure (bar)	See Graph 2				
	Max viscosity	2000 cSt, for higher viscosities consult ROTARY POWER				
	Min Viscosity	1 cSt				
<b>6</b> Recommended fluid cleanliness		ISO/DIS 4406 Polyol ISO code 18/13 Isocyanate code 16/11				
	Max temperature	80°C				
	Optimum Temperature	10 to 50°C				
	Approximate weight (Kg)	16	18	20	30	40

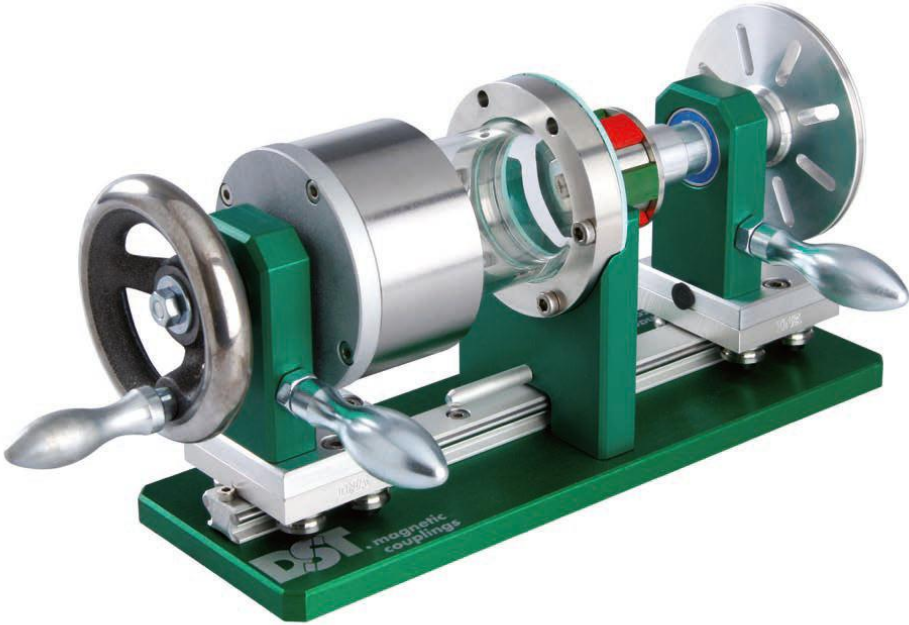
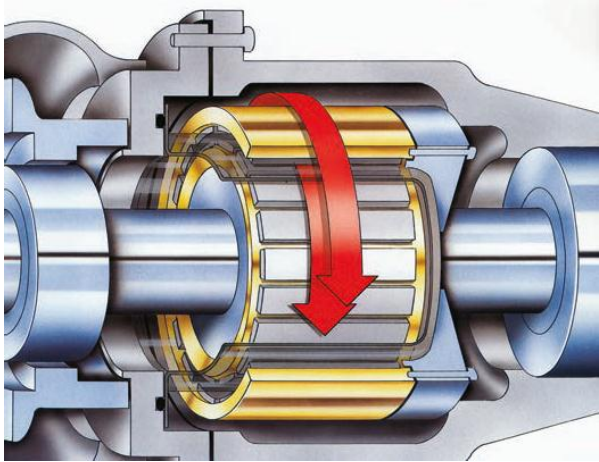
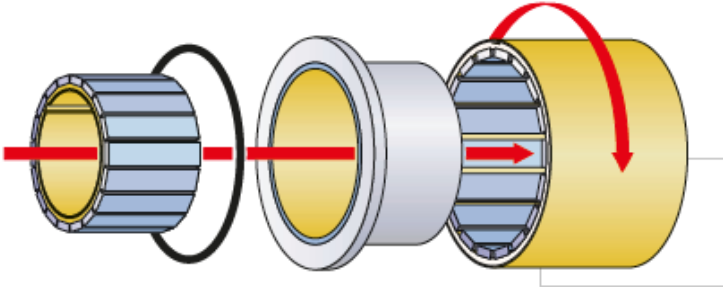




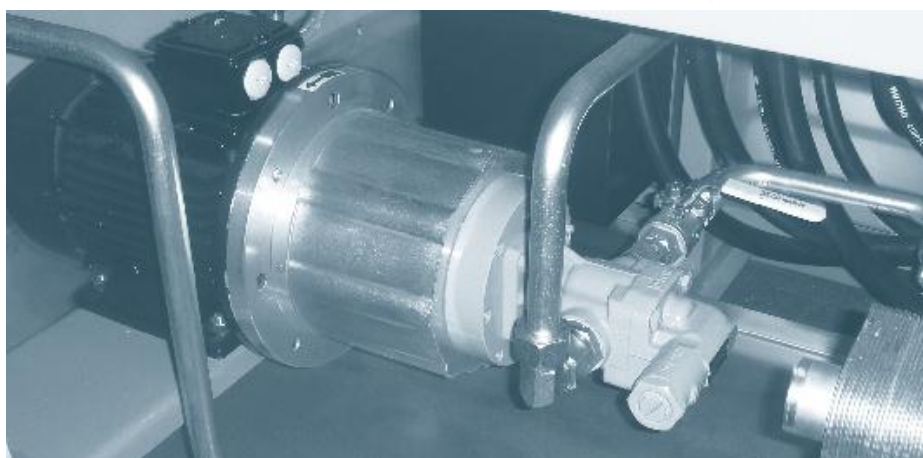




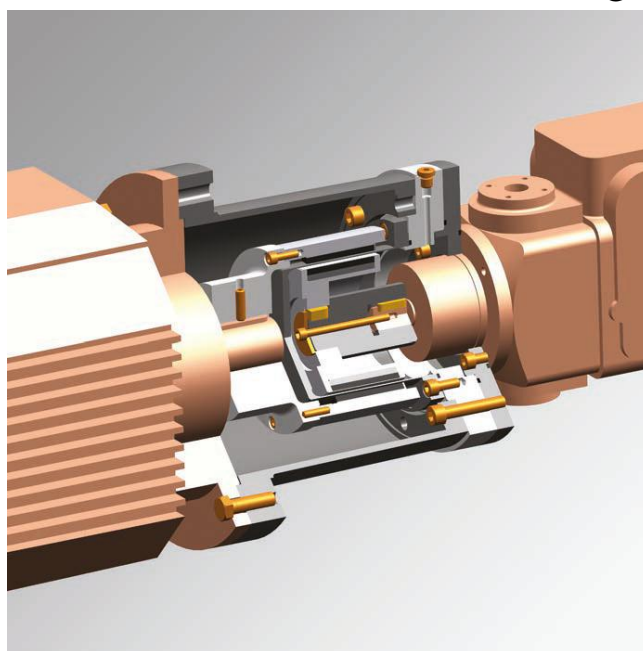
**3.KHỚP NỐI TỪ CHO BƠM ( CHỐNG RÒ RỈ HÓA CHẤT):**



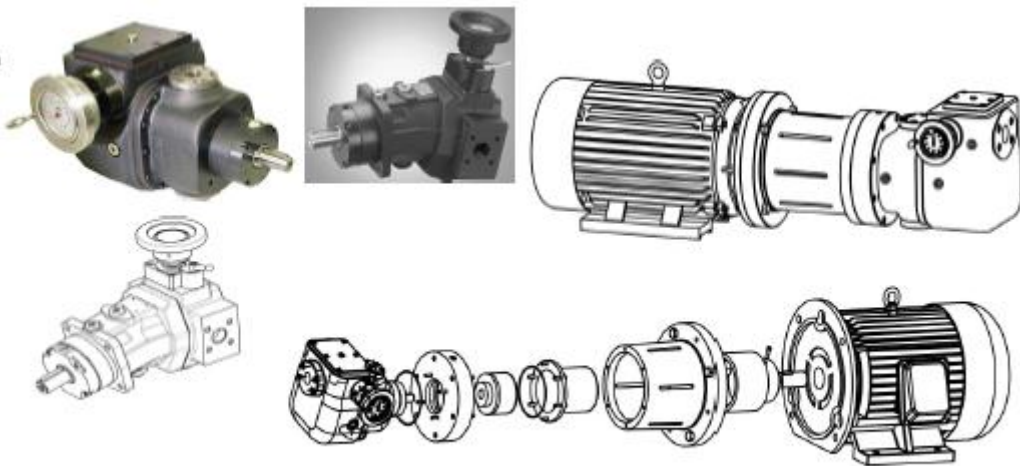
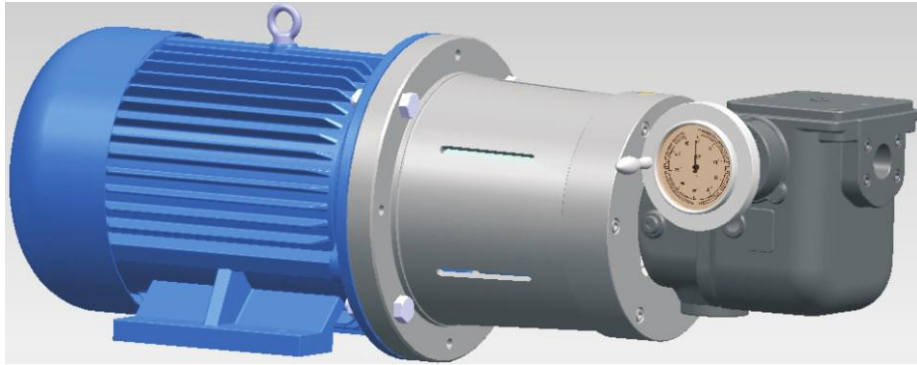
### **3.1 KHỚP NỐI TỪ CHO BƠM ÁP THẤP:**



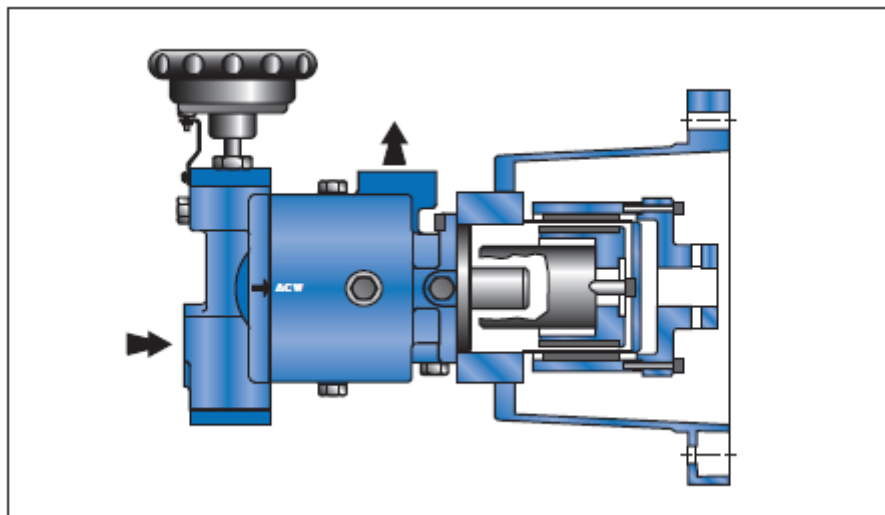
### **3.2 KHỚP NỐI TỪ CHO BƠM ÁP CAO TRUNG QUỐC:**

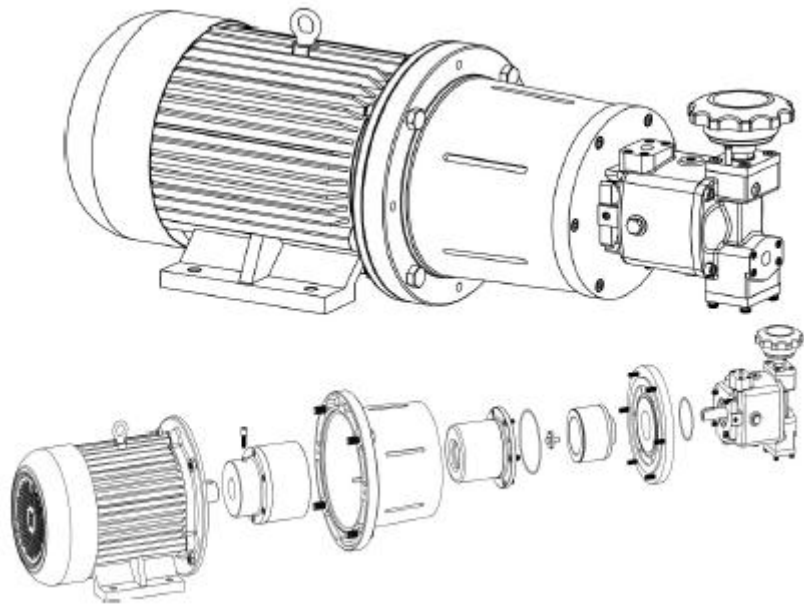




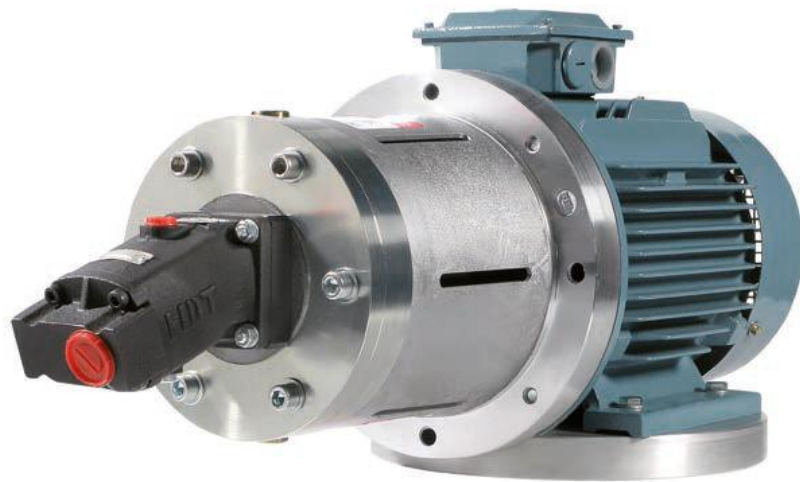


### 3.3 KHỚP NỐI TỪ CHO BƠM ROTARY POWER – ĐỨC:

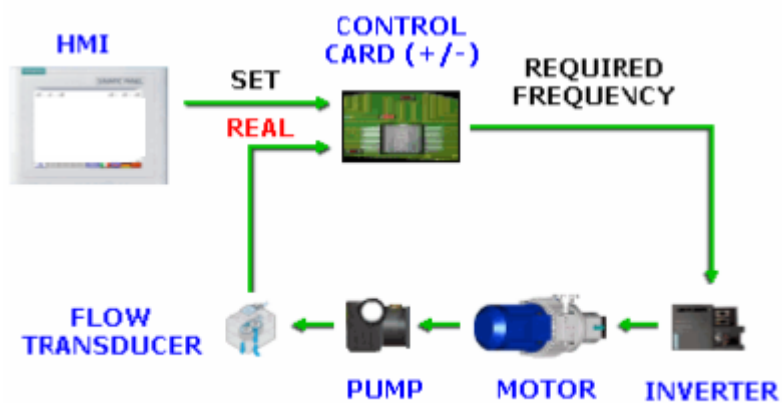
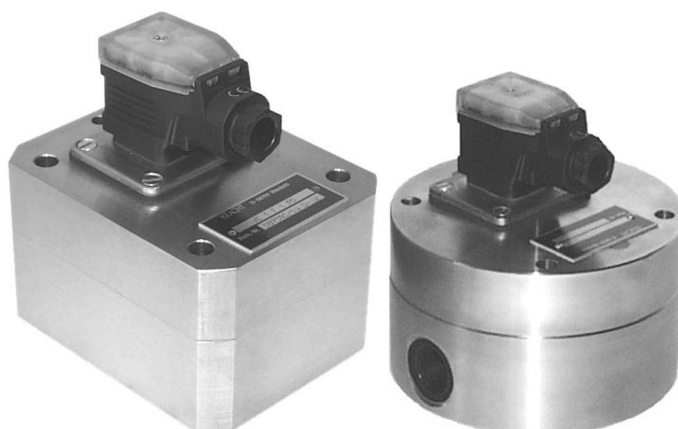




### **3.3 KHỚP NỐI TỪ CHO BƠM CANNON – ITALY:**



## 4. BỘ ĐO LƯU LƯỢNG – KRACHT ĐỨC: KIỂM SOÁT LƯU LƯỢNG, TỈ LỆ TỰ ĐỘNG



[Redacted text block]

**KHÔI NGUYỄN ME CO., LTD**

Địa chỉ: 05B, đường số 1A, KP.4, phường An Lạc A, Bình Tân, HCM

Tel: 0283777088

Mobile: 0918554141 – Hotline: 01639251479

Email: [khoinguyenmeco@gmail.com](mailto:khoinguyenmeco@gmail.com)

Website: [www.maydofoampu.com](http://www.maydofoampu.com)  
[www.mayphunfoampu.com](http://www.mayphunfoampu.com)



[Redacted text block]